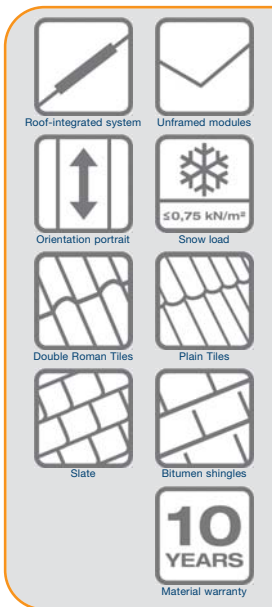




## SolarRoof III

Solar Roof III has been specifically designed for direct integration of PV modules into the roof covering. It is the visually most appealing method of fastening modules on pitched

roofs and has proven outstanding through years of experience. Particularly convincing is the simple modular concept of the special aluminium profiles.



**Flexible Application.** SolarRoof III readily allows the integration of unframed photovoltaic modules into new and old roofs regardless of the type of roof covering.\*

**Rapid Mounting.** All components are pre-fitted according to the chosen PV module and module configuration (including the titanium zinc flashing). SolarRoof III is mounted onto the existing battens and replaces the conventional roof covering.

**High Impermeability.** In terms of impermeability SolarRoof III fulfils the requirements of conventional tile roofs. The special supporting profiles guarantee sufficient rear ventilation and rain-water drainage\*\*.

**Individual array.** The roof can be entirely or partly covered with modules. Essentially, all connected module arrangements are possible. Even windows\*\* can be integrated.

**High Module Compatibility.** SolarRoof III is compatible with nearly all types of unframed modules from different manufacturers.

**Appealing Optics.** Levelling the modules with the roof covering, SolarRoof III is the most appealing method of mounting PV modules.

**Maximum Service Life.** All profiles and flashings, while being completely recyclable, guarantee maximum service life through their high resistance to corrosion (profiles: aluminium, flashings: titanium-zinc).

**Guaranteed Durability.** Conergy provides a 10-year warranty on the durability of all materials.

\* SolarRoof III is compatible with nearly all types of tiles, formwork and slate coverings. For detailed information, please contact us during the planning stages of your project.

\*\* Applies to German roofing regulations. Any installation must also be in accordance with local roofing regulations.

\*\*\* Subject to previous checking. For detailed information, please contact us during the planning stages of your project.

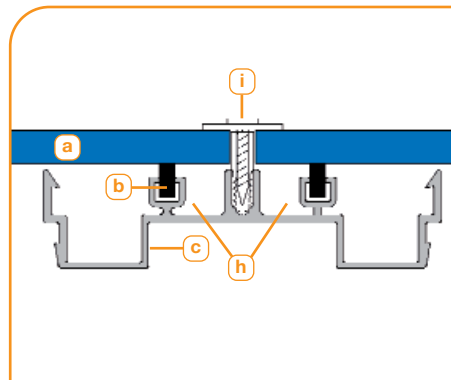


# SolarRoof III

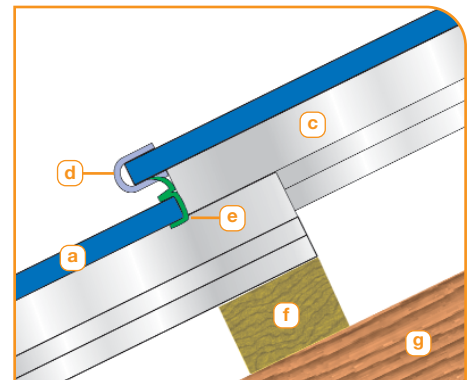
**Please note: The impermeability of the roof is considerably dependent on professional mounting of SolarRoof III! We would be happy to explain how this is done or provide training in order to avoid problems. Further information: cf. [www.conergy.de](http://www.conergy.de).**

## Overview

- a** PV module
- b** Rubber profile
- c** Module-supporting profile
- d** Module hook
- e** Edge protection rubber
- f** Batten
- g** Rafter
- h** Drainage
- i** Suction safeguarding



Horizontal section



Side view

## Technical Data SolarRoof III (SD III):

<b>Range of application</b>	Pitched roof - roof integration
<b>Roof covering</b>	Suitable for nearly all types roof coverings (further information upon request)
<b>Pitch</b>	>23° (lower upon request)
<b>Height of building</b>	Up to 8 m
<b>Snow load</b>	Up to 0.75 kN/m <sup>2</sup> *
<b>PV modules</b>	Unframed**
<b>Type of Mounting</b>	Shingle technique
<b>Module configuration</b>	Connected surfaces, as well as entire roof. Integration of windows possible (subject to previous checking).
<b>Module thickness</b>	<10 mm (>10 mm upon request)
<b>Module width</b>	<750 mm (>750 mm upon request)
<b>Module orientation</b>	Portrait, landscape***
<b>Size of module field</b>	Any size possible
<b>Positioning on roof</b>	No special requirements****
<b>Roof construction</b>	Must comply with local roofing guidelines*****.

<b>Supporting profiles</b>	Extruded aluminium (AlMgSi 0.5)
<b>Hooks, small parts</b>	Stainless steel (V2A)
<b>Flashings</b>	Top and side flashings: titanium zinc; bottom flashing: lead
<b>Seals</b>	EPDM
<b>Colour</b>	Profiles/flashings: natural, colour coating optional; Lead band: umber grey
<b>Lightening protection</b>	Optional with surcharge
<b>Warranty</b>	10 years on the durability of the material

\* Permissible wind and snow loads depend on the module used. For detailed information, please contact us during the planning stages of your project.

\*\* Compatible with nearly all current unframed modules.

\*\*\* Only possible if junction box is positioned 55 mm from edge of module at least.

\*\*\*\* Please note: Wind loads can be considerably increased when installing in edge and corner-areas of the roof. For detailed information, please contact us during the planning stages of your project.

\*\*\*\*\* The standard screws delivered are meant for mounting on wooden battens sized 40 x 60 mm (variation upon request).

Your specialist supplier: